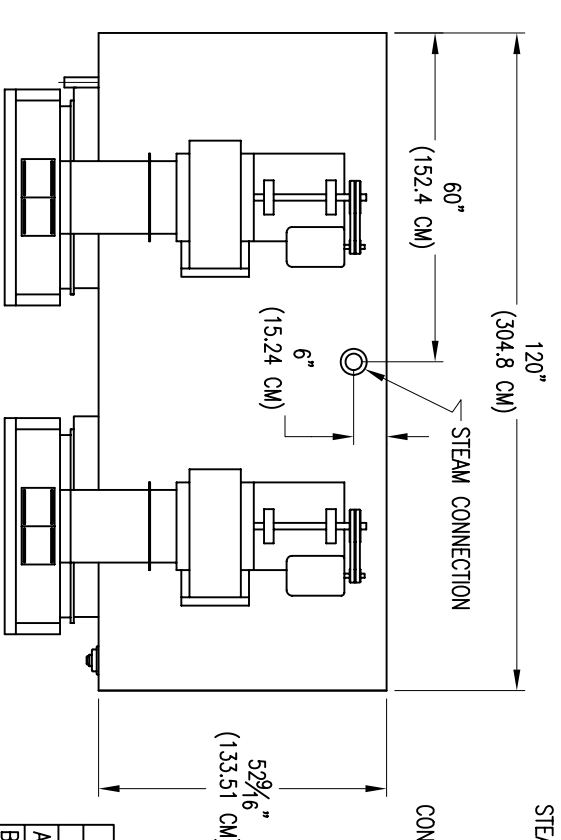
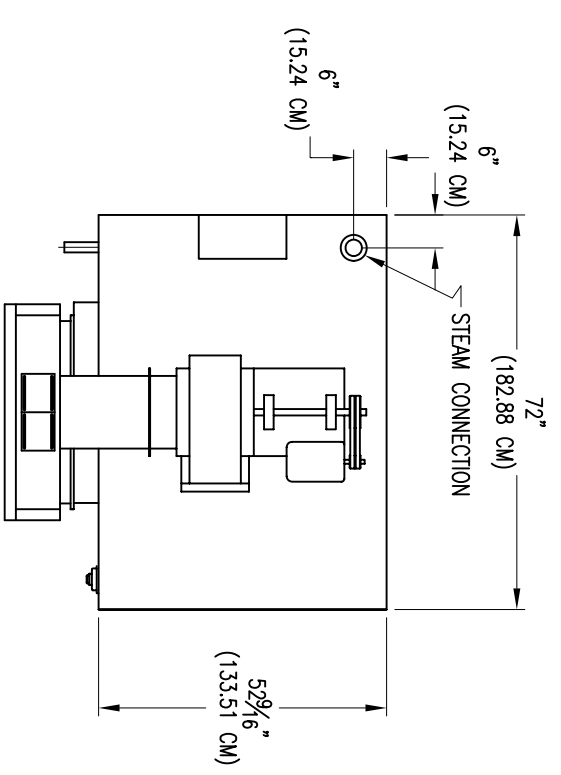


UTILITY ADDERS FOR DRYERS  
6' (1.83 M) DRYER      10' (3.05 M) DRYER

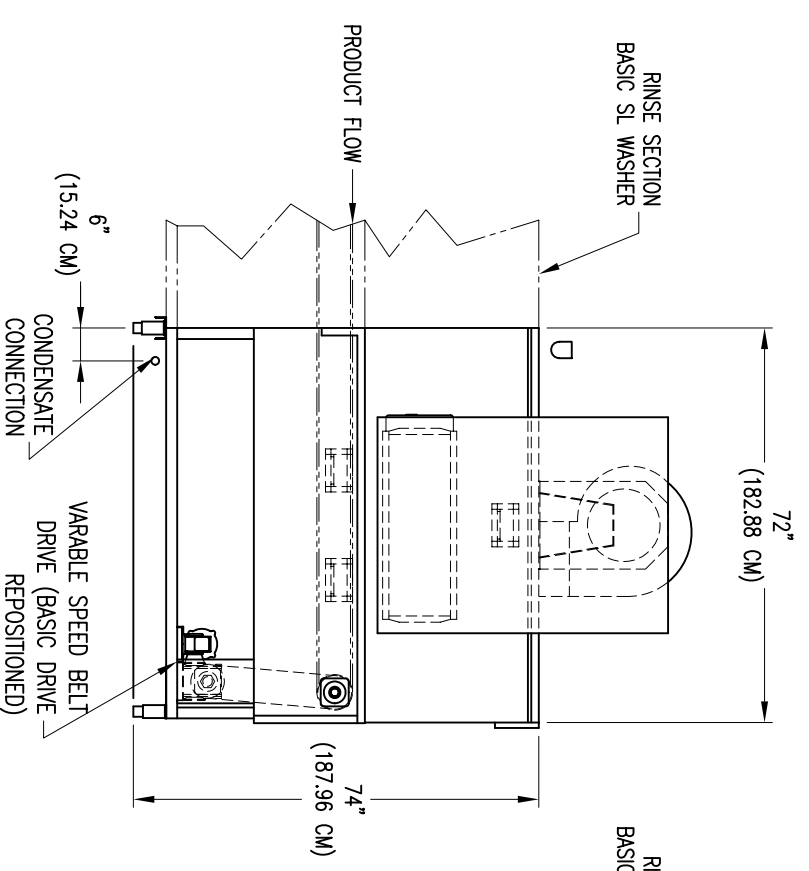
ELECTRICAL:    5 H.P. (3.73 KW)      10 H.P. (7.46 KW)

STEAM:            2" (5.08 CM) FPT            2" (5.08 CM) FPT  
                      30 - 80 PSI (206.84-551.58 KPA)    30 - 80 PSI (206.84-551.58 KPA)  
                      1000 LB./HR. (453.6 KG/HR)            1500 LBS./HR. (680.39 KG/HR)

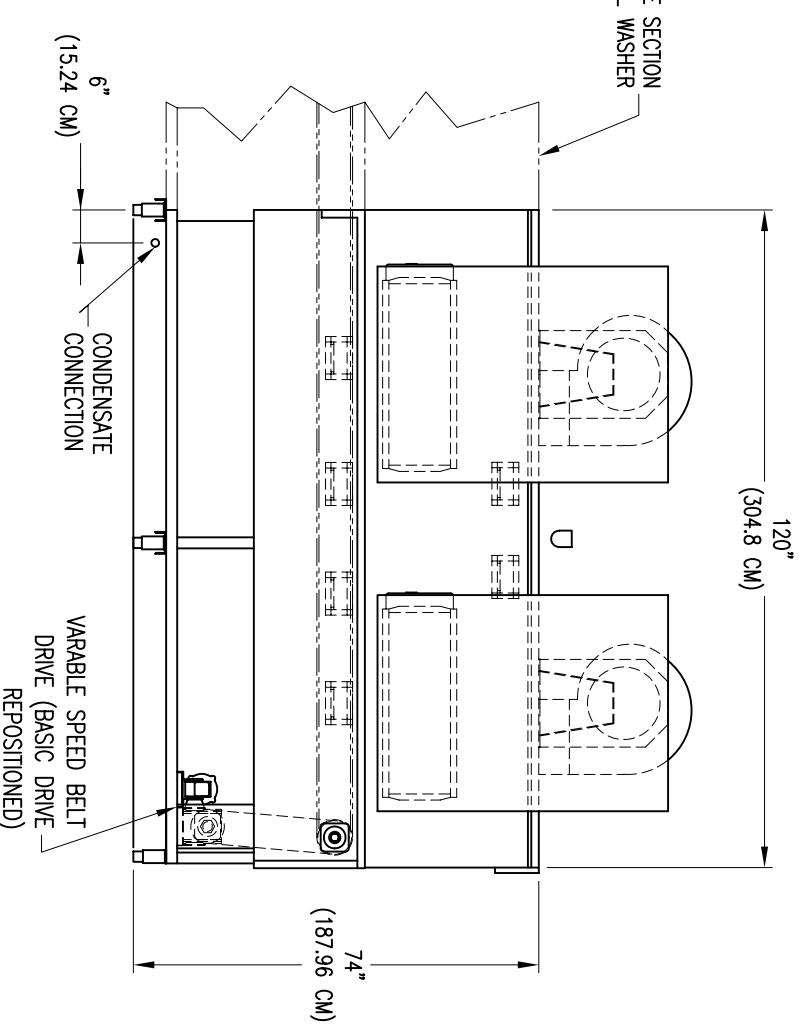
CONDENSATE:    1" (2.54 CM) FPT            1" (2.54 CM) FPT



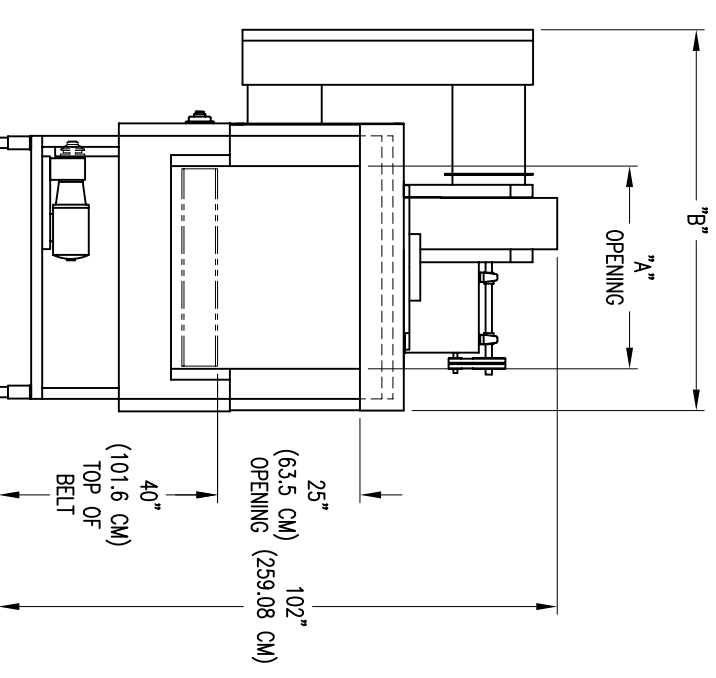
WIDTH DIMENSIONS			
	SL1224	SL1230	SL1236
A:	25" (63.5 CM)	31" (78.74 CM)	37" (93.98 CM)
B:	56-1/2" (143.51 CM)	63-1/2" (161.29 CM)	69-1/2" (176.53 CM)
			SL1248
			49" (124.46 CM)
			80-1/2" (204.27 CM)



SIDE VIEW 6 FOOT (1.83 M)  
DRYER OPTION



SIDE VIEW 10 FOOT (3.05 M)  
DRYER OPTION



UNLOAD END VIEW (TYP.)

STANDARD DRYER LENGTHS ARE SHOWN  
CUSTOM LENGTHS ARE READILY AVAILABLE

NOTICE: All drawings, descriptions, prints, specifications, etc. bearing this notice, together with the information, and ideas contained therein, are the sole and exclusive property of Schlyer Machine. Any disclosure or use thereof not authorized in writing by Schlyer Machine is unlawful and will be prosecuted to the full extent of the law.

DWN BY: J.BIRKE	DATE: 8/2/05	DRAWING TITLE:	MODEL SL1200 STANDARD RH DRYER OPTIONS
APR BY: _____	DATE: _____	JOB NO: _____	SCALE: _____
SCALE: _____	DATE: _____		
SHEET: _____ OF: _____	NEXT ASSEMBLY: _____	PART NO: SL1200D RH	

**SCHLYER MACHINERY CO.**  
206 LAKE ST. WILSON NY 14172