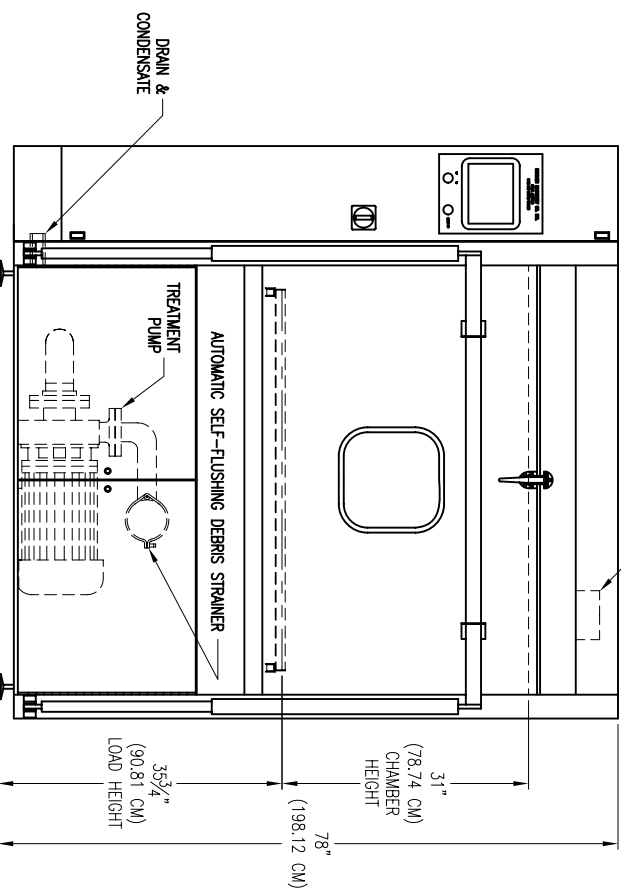
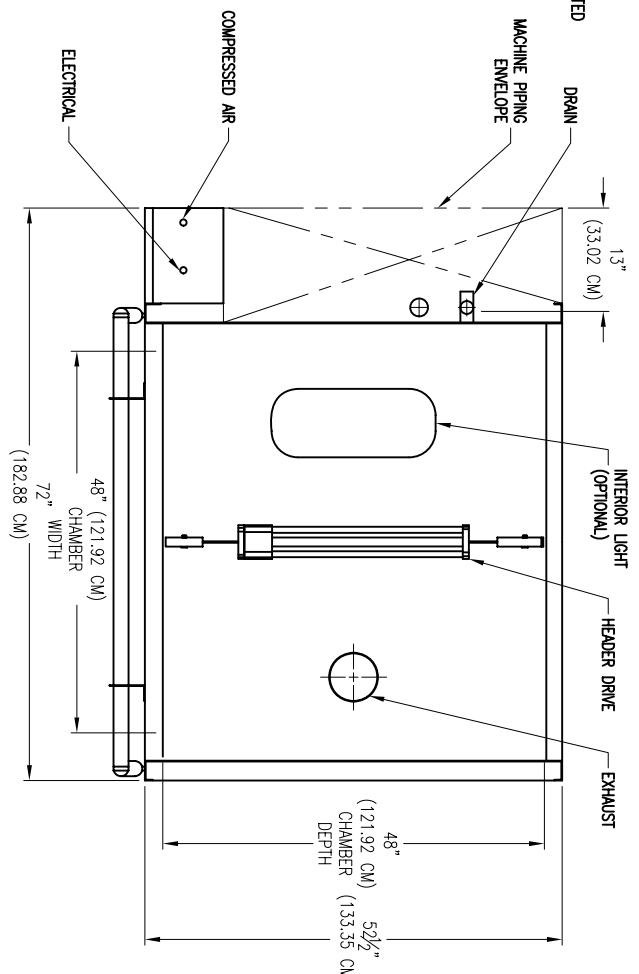
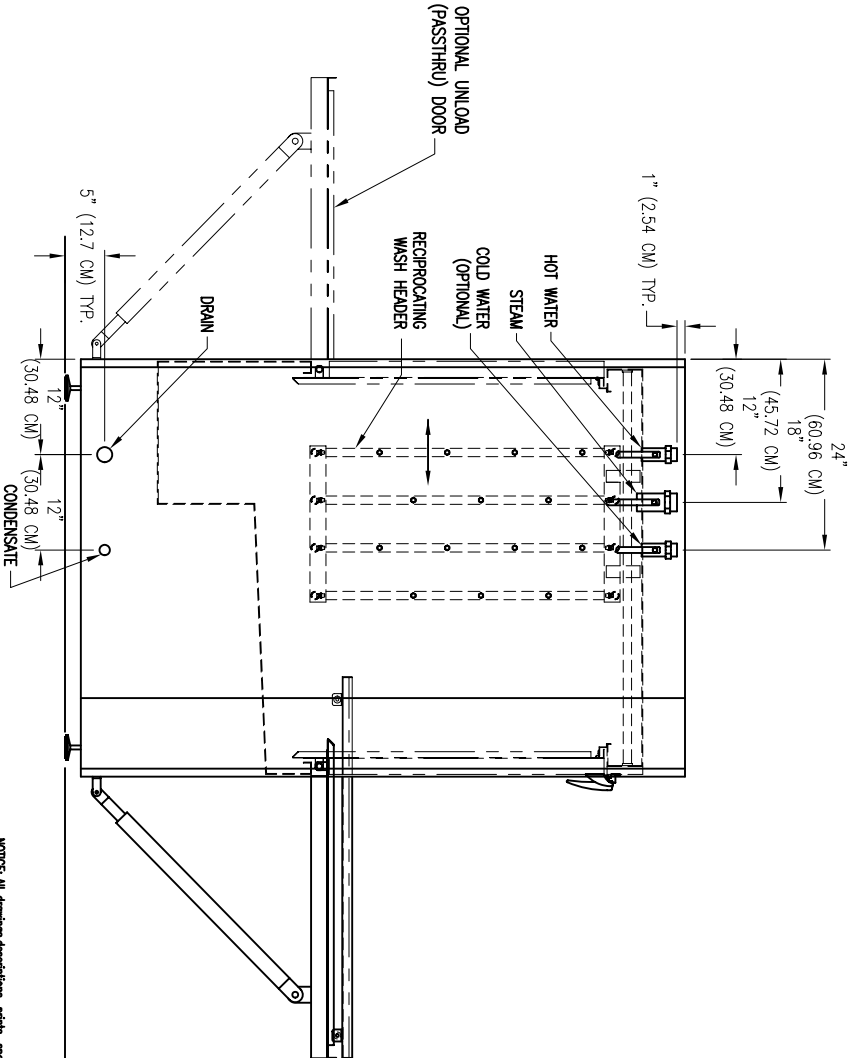


UTILITIES AND SERVICE REQUIREMENTS

ELECTRICAL	208/360/480 3 PH, 60 HZ 8 H.P. (5.97 KW) CONNECTED LOAD	EXHAUST	6" (15.24 CM) DIA. 180 DEG. F (82.22 DEG C) SATURATED 200 CFM (5.66 CUBIC METERS/MIN) FLOW RATE
ELECTRIC HEAT (OPTIONAL)	208/360/480 3 PH, 60 HZ, 24 KW	COMPRESSED AIR	1/2" (1.27 CM) FPT 80 PSI (551.58 KPA) 4 SCFM (0.11 CUBIC METERS/MIN) FLOW RATE
STEAM	1 1/2" (3.81 CM) FPT 30-80 PSI (206.84-551.58 KPA) 350 LBS/HR (158.76 KG/HR) PEAK FLOW RATE 250 LBS/HR (113.40 KG/HR) AVERAGE FLOW RATE		
CONDENSATE	1" (2.54 CM) FPT		
HOT WATER	1" (2.54 CM) FPT 35 PSI (241.32 LPA) 180 DEG. F. (82.22 DEG C) 90 GALLONS (340.69 LITERS) MAX. / LOAD CONSUMPTION		
COLD WATER (OPTIONAL)	3/4" (1.91 CM) FPT 35 PSI (241.32 KPA) 50 DEG. F. (10 DEG C) 15 GPM (56.78 LITERS/MIN) AVERAGE FLOW		
DRAIN	1 1/2" (3.81 CM) FPT 190 DEG. F (87.78 DEG C) MAX. TEMPERATURE 60 GPM (227.12 LITERS/MIN) FLOW RATE		



NOTICE: All drawings, descriptions, prints, specifications, etc. bearing this notice, together with the information, and ideas contained therein, are the sole and exclusive property of Schlyer Machine. Any disclosure or use thereof not authorized in writing by Schlyer Machine is unlawful and will be prosecuted to the full extent of the law.

DWG. BY: GREG B	DATE: 2/28/05	DRAWING TITLE:
APP. BY:	DATE:	MODEL: CBW1026LLS LH CAGE AND BOTTLE WASHER
SCALE:	JOB NO.:	PART NO.:
SHEET: 1 OF 1	NEXT ASSEMBLY:	CBW1026LLS L

REV. 07-05

SCHLYER MACHINERY CO. 200 LAKE ST. WILSON, NY 14172